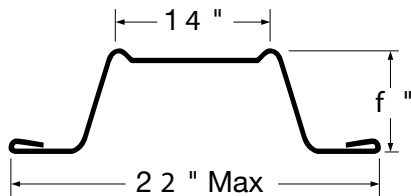
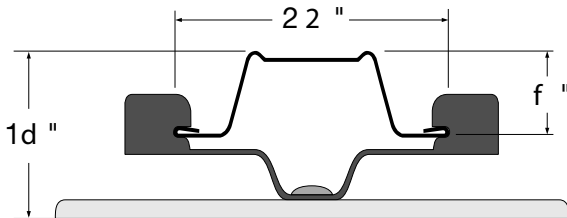


# Installation Guide and Safety Manual

## QuitClip (Resilient Sound Isolation Clips)



**Where to find hat channel?**  
Call Dietrich Metal Framing to find a dealer near you 877-474-4052 x1  
Ask for 25 gauge 7/8" Drywall Furring Channel (other names can be Hat Channel or HI Hat Channel). NOT Resilient Channel.

### QUIETCLIP SPECIFICATIONS

Width .....	1.25 inch
Height .....	4.25 inch
Depth .....	1 inch
Weight .....	.025 lbs
Max Spacing .....	.48" on center
Max Load .....	36 lbs

### HAT (FURRING) CHANNEL SPECIFICATIONS\*

Gauge: .....	25 gauge with hemmed edge
Depth: .....	7/8"
Width Top: .....	1 1/4"
Width Bottom: .....	2 1/2" max

When splicing hat channel, overlap 6 inches in between two QuietClips. Secure the channel with two 7/16" framing screws or 18 gauge tie-wire can be used.

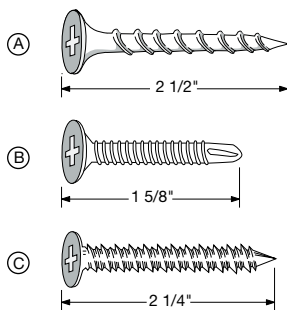
\* Available at your local building supply stores

### FASTENERS

- (A) Wood: #8 x 2 1/2 Coarse Threads
- (B) Steel: #8, 10 or 12 x 1 5/8" Self-tapping Type S
- (C) Concrete: 3/16" dia. x 2 1/4" Anchor screws

**DO NOT** fasten Sound Isolation Clips to framing members with nails. Use only approved screws.

### SOUNDPROOFING ACCESSORIES



Sealtight Outlet Pads



Silenseal Acoustic Sealant

Solutions for living life quietly

# WALL INSTALLATION GUIDE

## NOTES

- QuietClips shall not exceed 48 inches on center.
- Spacing between hat channels shall not exceed 24 inches.
- Fasten the QuietClip to the substrate with a fastener approved for a minimum pull-out and shear of 120 lbs.
- Locate the bottom row of QuietClips within 3 inches of the floor. (May be adjusted lower to accommodate installation of baseboard.)
- Hat Channels are installed horizontal to the floor.
- Use a 4 foot level to ensure that QuietClips and hat channels are installed horizontal and level.
- Install the drywall vertically from the bottom up leaving a 1/4" thick gap around perimeter of wall to be filled with acoustical caulk. Caulk around the entire perimeter of the gypsum board.

## STEP 1

Review Sound Isolation Company's QuietClips layout guidelines before starting installation of walls or ceilings. (See page 7 ) We suggest installing the ceiling first, before installing the walls.

## STEP 2

Space QuietClips so not to exceed 48" on center. Secure QuietClips with a single fastener through the top screw hole in clip. (Fig 2.1)

Wood: Use #8 x 2-1/2" coarse thread screws

Steel: Use #8, 10 or 12 x 1-5/8" Type S self-tapping screws

Concrete: Use 3/16" dia x 2-1/4" Tapcon or equal anchor

## STEP 3

Secure with second screw/anchor into wall framing. (Fig 2.2)

Snap onto hat channel. (Fig 2.3)

## Optional Method for Steps 2 & 3 (When using 25 Gauge Furring Channel)



Snap clips onto furring channel. Hand slide clips to proper location on the furring channel before installing it on the wall. Once located on the wall use a 4 foot level to ensure you are installing the clips and channel horizontal and level. Fasten both ends of the clip to secure the channel.

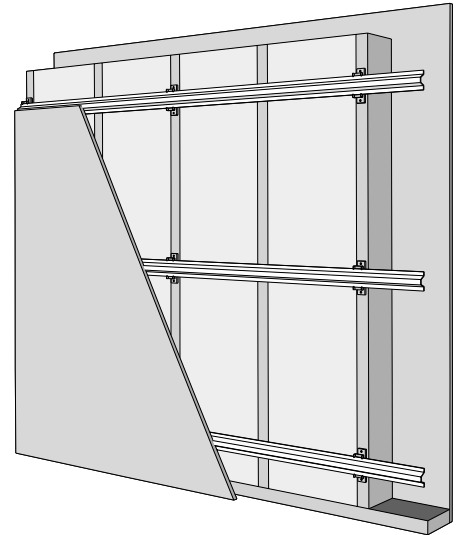


Figure 2.1: Screw QuietClips into stud wall



Figure 2.2: Secure second anchor



Figure 2.3: Snap QuietClip into hat channel

**STEP 4**

The floor shims are critical to ensure best results. Place 1/4" shims on the floor in front of sole plate (Fig 3.1). Install the first row of drywall vertically against the wall (Fig 3.2). Attach drywall to channel following local building codes.

**Note:** Only remove the shims after all the gypsum board is completely screwed to all the hat channels.

**STEP 5**

Use acoustical caulk around the entire perimeter of each wall. (See Figure 3.3)

**LOAD SPECIFICATION FOR QUIET CLIP**

Quiet Clips are designed to carry hat channel with one or more layers of gypsum wallboard attached. The load capacity of the clip depends on the spacing and number of clips used.

The maximum design load capacity for the Quiet Clips in shear (wall application) or in tension (ceiling application) is as follows. Design load calculations are based on tested loading to failure where the furring channel deforms.

**Standard Clip Spacing Load Capacity**                      2:1 safety factor    2.5:1 safety factor\*

Quiet Clips w/ 25 gauge hat channel	45 lbs	36 lbs
-------------------------------------	--------	--------

\* Suggested safety factor of 2.5:1 for more critical life safety applications

Note: 5/8" thick gypsum wallboard weighs 2.3 lbs/sq ft.  
1/2" thick gypsum wallboard weighs 1.85 lbs/sq ft.

**Where to find hat channel?** Call Dietrich Metal Framing to find a dealer near you 877-474-4052 x1 Ask for 25 gauge 7/8" Drywall Furring Channel (other names can be Hat Channel or HI Hat Channel). NOT Resilient Channel.

**GENERAL INFORMATION**

All potential sound leaks such as gaps around outlets, windows, door frames, pipe penetrations, etc should be sealed with a non-hardening acoustical sealant or resilient putty.

See Sound Isolation Company's Sealtight Putty Pads, for even better results. Wall and ceiling assemblies and the specific construction requirements are listed at:  
[www.soundisolationcompany.com/sealtight](http://www.soundisolationcompany.com/sealtight)



Figure 3.1: Place shims on floor in front of base plate



Figure 3.2: Install drywall vertically to hat channels



Figure 3.3: Use Acoustical Caulk around the perimeter and edges

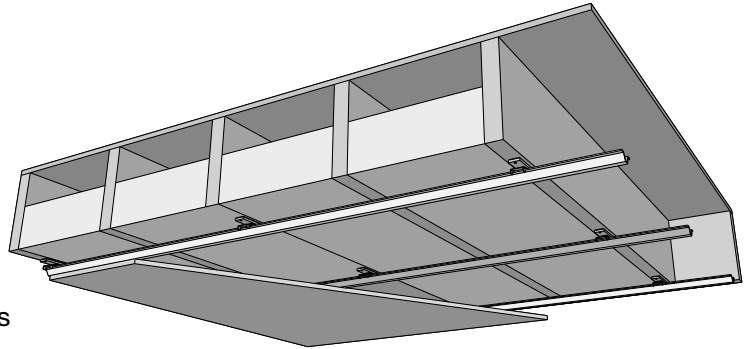


Figure 3.4: Tape and mud drywall

# CEILING INSTALLATION GUIDE

## NOTES

- QuietClips shall not exceed 48 inches on center
- Spacing between hat channels shall not exceed 24"
- Fasten the QuietClip to the substrate with a fastener approved for a minimum pull-out and shear of 120 lbs
- Locate the first row of QuietClips within 6 inches of the wall and within 6 inches of the opposite wall.
- Hat Channels are installed perpendicular to the joists
- Install the gypsum board leaving a 1/4" thick gap around perimeter to be filled with acoustical caulk.
- Caulk around the entire perimeter of the gypsum board.



## STEP 1

Review Sound Isolation Company's QuietClips layout guidelines before starting installation of walls or ceilings. We suggest installing the ceiling first before installing the walls.

## STEP 2

Space QuietClips so not to exceed 48" on center. Secure QuietClips with a single fastener through the top screw hole in clip.

Wood: Use #8 x 2-1/2" coarse thread screws

Steel: Use #8, 10 or 12 x 1-5/8" Type S self-tapping screws

Concrete: Use 3/16" dia x 2-1/4" Tapcon or equal anchor



## STEP 3

Secure with screw/anchor into floor joists. (See Figure 5.1)

Snap hat channel into quiet clip. (See Figure 5.2)



## Optional Method for Steps 2 & 3 (When using 25 Gauge Furring Channel)



Snap clips onto furring channel. Hand slide clips to proper location on the furring channel before installing it on the ceiling. Once located on the ceiling use a 4 foot level to ensure you are installing the clips and channel horizontal and level. Fasten both ends of the clip to secure the channel.

**Walls & Ceilings Usage (7/8" hat channel, 24" o.c.)**

	1-4	5-8	9-12	13-16	17-20	21-24	25-28	29-32	33-36	37-40
1 -3	4	6	8	10	12	14	16	18	20	22
3 -5	6	9	12	15	18	21	24	27	30	33
5-7	8	12	16	20	24	28	32	36	40	44
7-9	10	15	20	25	30	35	40	45	50	55
9-11	12	18	24	30	36	42	48	54	60	66
11-13	14	21	28	35	42	49	56	63	70	77
13-15	16	24	32	40	48	56	64	72	80	88
15-17	18	27	36	45	54	63	72	81	90	99
17-19	20	30	40	50	60	70	80	90	100	110
19-21	22	33	44	55	66	77	88	99	110	121
21-23	24	36	48	60	72	84	96	108	120	132
23-25	26	39	52	65	78	91	104	117	130	143
25-27	28	42	56	70	84	98	112	126	140	154
27-29	30	45	60	75	90	105	120	135	150	165
29-31	32	48	64	80	96	112	128	144	160	176
31-33	34	51	68	85	102	119	136	153	170	187
33-35	36	54	72	90	108	126	144	162	180	198
35-37	38	57	76	95	114	133	152	171	190	209
37-39	40	60	80	100	120	140	160	180	200	220
39-41	42	63	84	105	126	147	168	189	210	231

**Walls & Ceilings Usage (7/8" hat channel, 16" o.c.)**

	1 - 4	5 - 8	9 - 12	13 - 16	17 - 20	21 - 24	25 - 28	29 - 32	33 - 36	37 - 40'
1' - 2' 4"	4	6	8	10	12	14	16	18	20	22
2' 4" - 4'	8	12	16	20	24	28	32	36	40	44
4' - 5' 4"	10	15	20	25	30	35	40	45	50	55
5' 4" - 6' 7"	12	18	24	30	36	42	48	54	60	66
6' 7" - 8'	14	21	28	35	42	49	56	63	70	77
8' - 9' 4"	16	24	32	40	48	56	64	72	80	88
9' 4" - 10' 7"	18	27	36	45	54	63	72	81	90	99
10' 7" - 12'	20	30	40	50	60	70	80	90	100	110
12' - 13' 4"	22	33	44	55	66	77	88	99	110	121
13' 4" - 14' 7"	24	36	48	60	72	84	96	108	120	132
14' 7" - 16'	26	39	52	65	78	91	104	117	130	143
16' - 17' 4"	28	42	56	70	84	98	112	126	140	154
17' 4" - 18' 7"	30	45	60	75	90	105	120	135	150	165
18' 7" - 20'	32	48	64	80	96	112	128	144	160	176
20' - 21' 4"	34	51	68	85	102	119	136	153	170	187
21' 4" - 22' 7"	36	54	72	90	108	126	144	162	180	198
22' 7" - 24'	38	57	76	95	114	133	152	171	190	209
24' - 25' 4"	40	60	80	100	120	140	160	180	200	220
25' 4" - 26' 7"	42	63	84	105	126	147	168	189	210	231
26' 7" - 28'	44	66	88	110	132	154	176	198	220	242
28' - 29' 4"	46	69	92	115	138	161	184	207	230	253
29' 4" - 30' 7"	48	72	96	120	144	168	192	216	240	264
30' 7" - 32'	50	75	100	125	150	175	200	225	250	275
32' - 33' 4"	52	78	104	130	156	182	208	234	260	286
33' 4" - 34' 7"	54	81	108	135	162	189	216	243	270	297
34' 7" - 36'	56	84	112	140	168	196	224	252	280	308
36' - 37' 4"	58	87	116	145	174	203	232	261	290	319
38' 4" - 40'	60	90	120	150	180	210	240	270	300	330

**Disclaimer:** These application notes represent the accepted procedures for successful installation. These suggestions may be followed, modified, or rejected by the owner, engineer, contractor, and/or their respective representative(s) since they, not Sound Isolation Company, are responsible for planning and executing procedures appropriate to a specific application. Sound Isolation Company reserves the right to alter these suggestions and encourages contact with the factory or its representatives to review any possible modification to these application notes prior to commencing installation. It is the responsibility of the owner, engineer, contractor, and/or their respective representative(s) to ensure that installation meets all applicable Building Codes. There is no performance warranty expressed or implied for any particular project or installation.